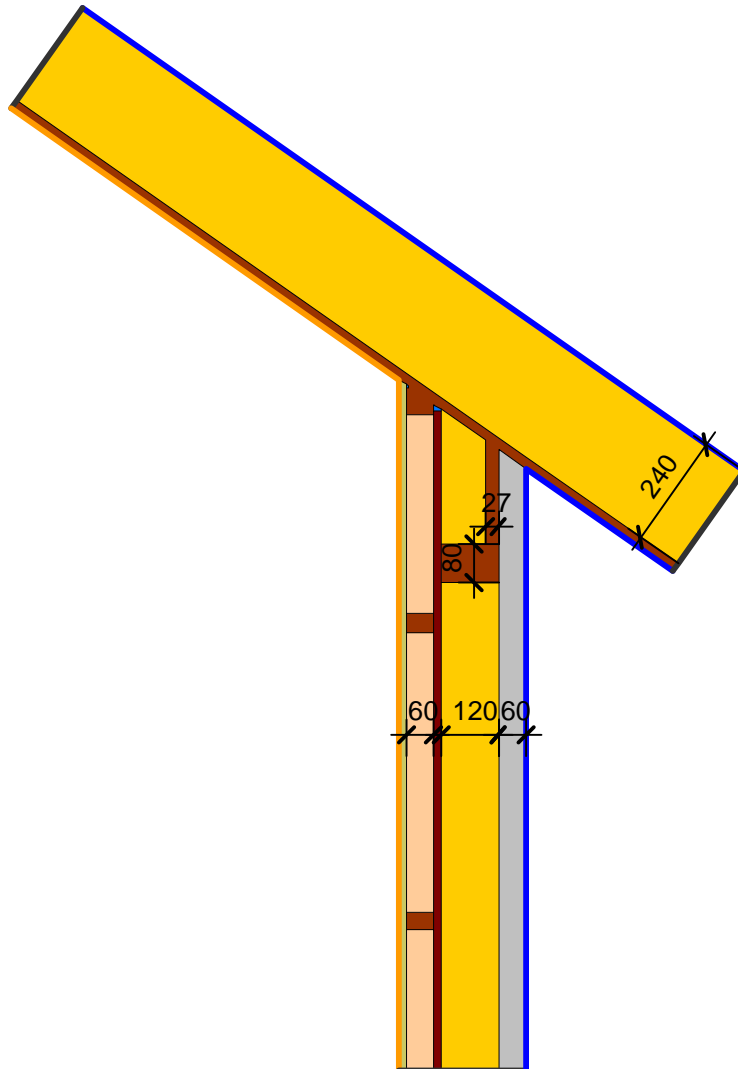


Detailblatt 12-925
 Dämmung Dach 12-200: 240mm
 Dämmung Wand 24-110: 16 + 120 + 60mm
 Kriterium Schimmel

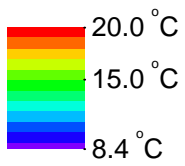
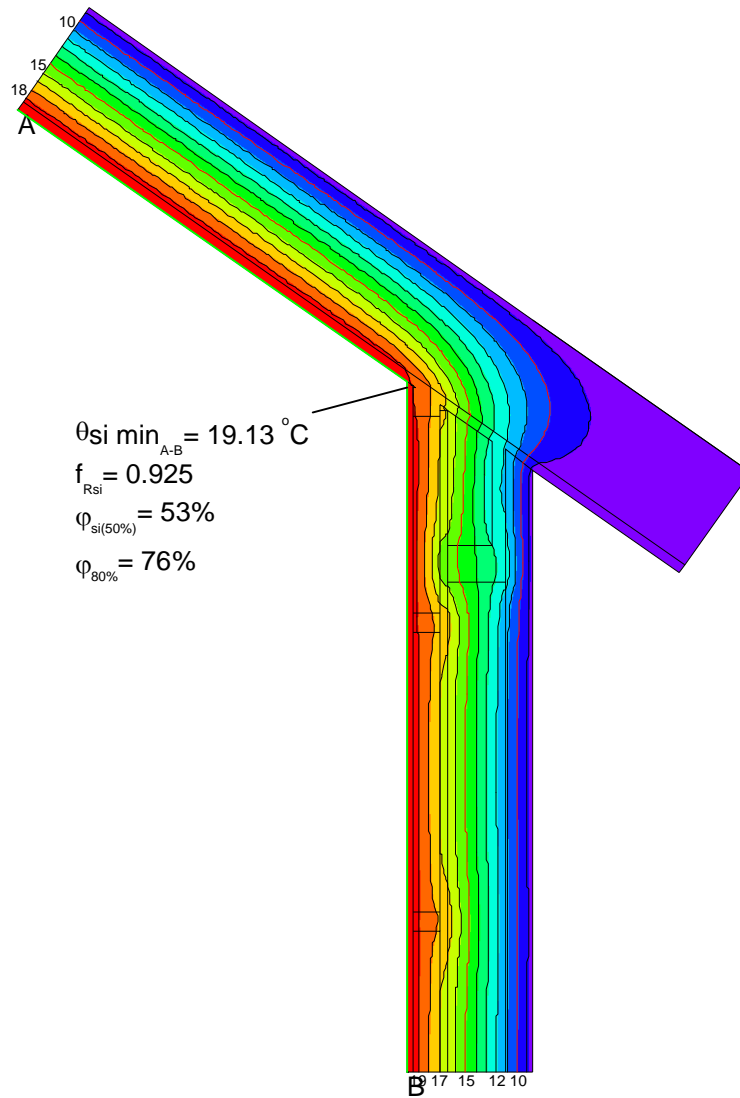


| Material | λ [W/(m·K)] |
|-----------------------------|---------------------|
| Fichte, Tanne | 0.140 |
| Gips | 0.400 |
| Holzspanplatte 600 | 0.110 |
| ISOVER ISOPONTE | 0.032 |
| ISOVER ISOTHERM GD | 0.035 |
| ISOVER PB M 032 | 0.032 |
| ISOVER SPARRENPLATTE 032 PR | 0.032 |
| Unbelüftete Hohlräume | Eps=0.9/0.9 |

| Randbedingung | q [W/m ²] | θ [°C] | R [(m ² ·K)/W] | ϵ |
|--------------------------|-------------------------|---------------|-----------------------------|------------|
| Aussenklima | | 8.400 | | 0.040 |
| Innen Obere Raumhälfte | | 20.000 | | 0.250 |
| Symmetrie/Bauteilschnitt | 0.000 | | | |

ISOVER Bautechnik, November 2013

Detailblatt 12-925
Dämmung Dach 12-200: 240mm
Dämmung Wand 24-110: 16 + 120 + 60mm
Kriterium Schimmel



ISOVER Bautechnik, November 2013