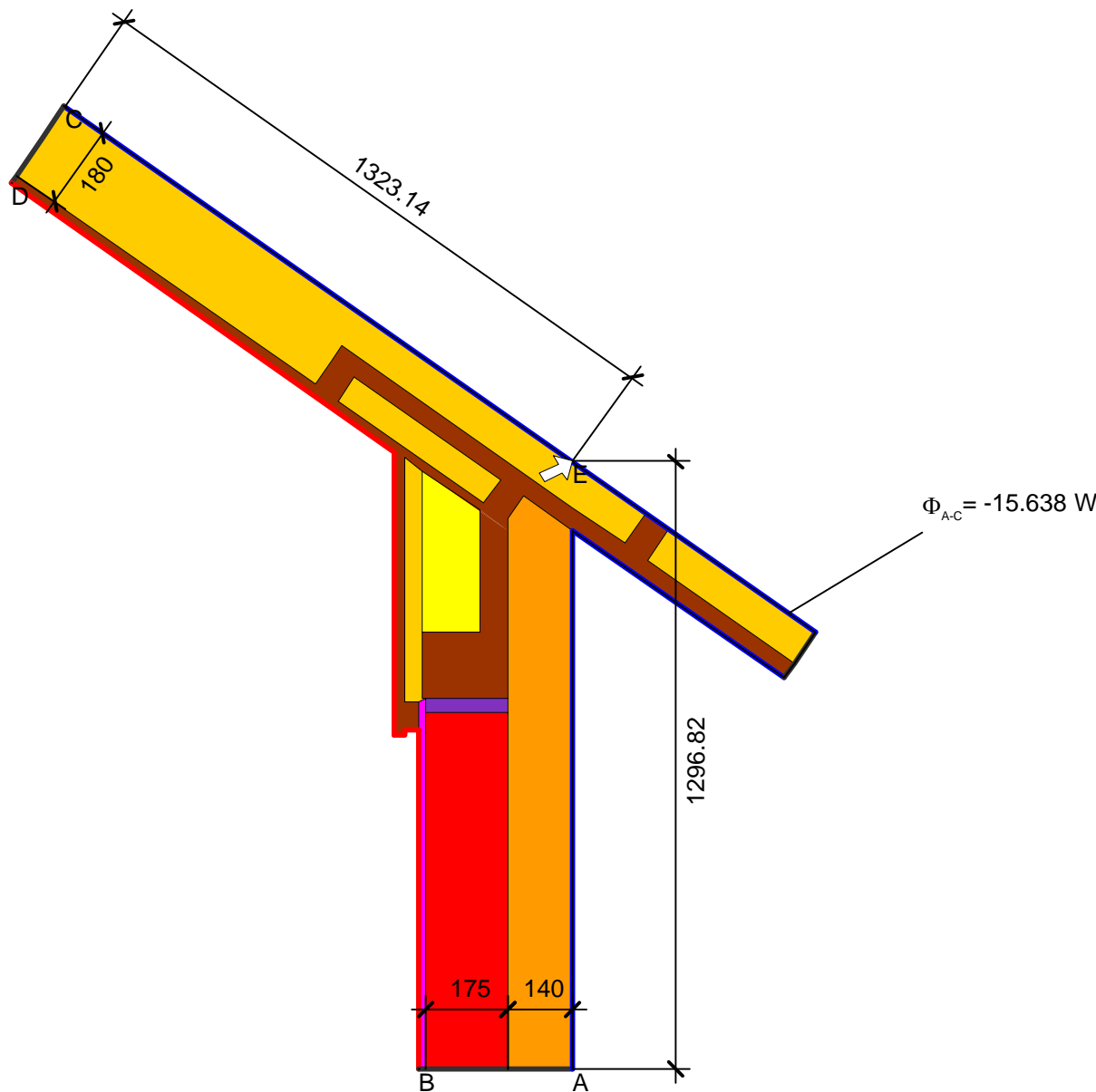


Detailblatt 12-915-v2  
 Dämmung Dach 12-200: 180mm  
 Dämmung Wand 21-100: 140mm  
 Psi-Wert

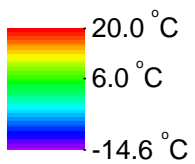
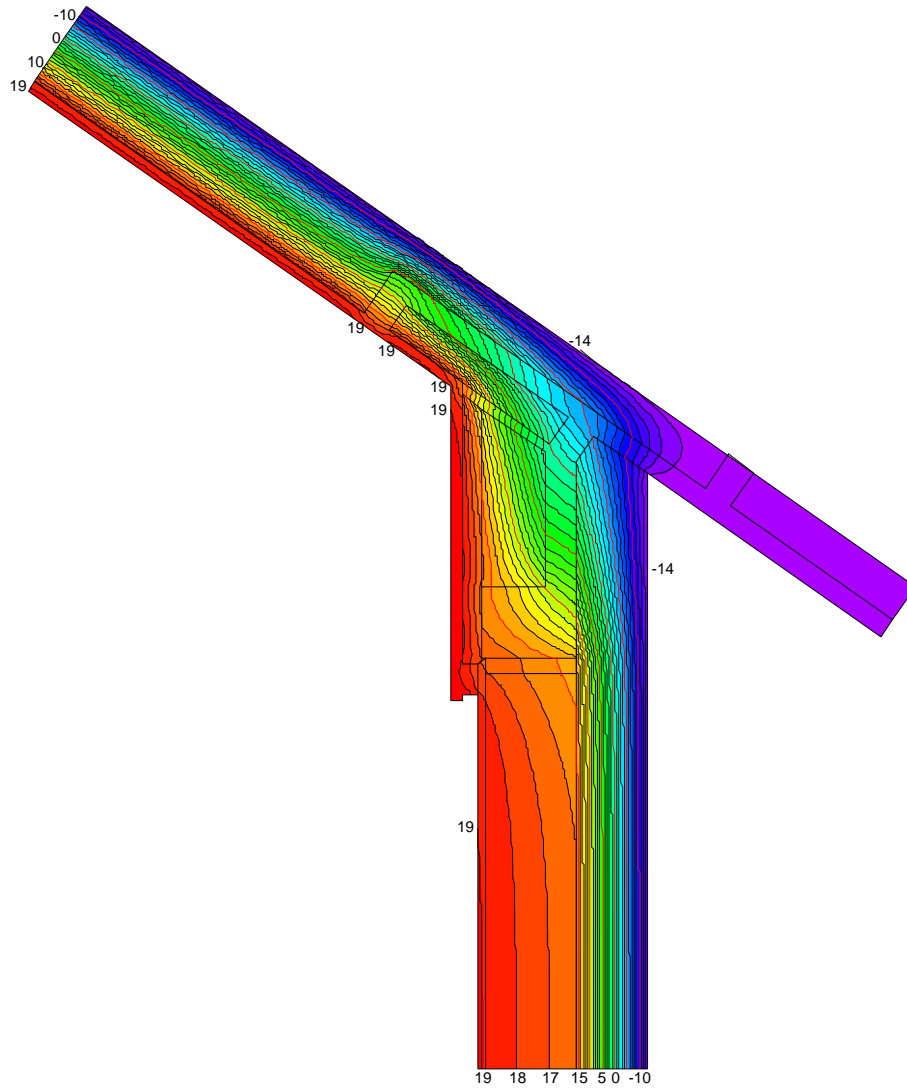


$$\psi_{A-E-C} = \frac{\Phi}{\Delta T} - U_1 \cdot b_1 - U_2 \cdot b_2 = \frac{15.638}{34.600} - 0.200 \cdot 1.297 - 0.200 \cdot 1.323 = -0.07 \text{ W/(m}\cdot\text{K)}$$

| Material                | $\lambda$ [W/(m·K)] | Randbedingung             | $q$ [W/m <sup>2</sup> ] | $\theta$ [°C] | $R$ [(m <sup>2</sup> ·K)/W] | $\epsilon$ |
|-------------------------|---------------------|---------------------------|-------------------------|---------------|-----------------------------|------------|
| Fichte, Tanne           | 0.140               | Aussen Standard           | -14.600                 | 0.040         |                             |            |
| ISOVER ISOLENE P        | 0.032               | Aussen stark belüftet     | -14.600                 | 0.130         |                             |            |
| ISOVER ISOTHERM 035     | 0.035               | Innen Standard            | 20.000                  | 0.130         |                             |            |
| ISOVER PB M 032         | 0.032               | Innen Wärmestrom aufwärts | 20.000                  | 0.100         |                             |            |
| ISOVER PHONEIX 032      | 0.032               | Symmetrie/Bauteilschnitt  | 0.000                   |               |                             |            |
| Innenputz               | 0.700               |                           |                         |               |                             |            |
| Modulbackstein Einstein | 0.440               |                           |                         |               |                             |            |
| Zementmörtel (1)        | 1.400               |                           |                         |               |                             |            |

ISOVER Bautechnik, November 2013

Detailblatt 12-915-v2  
Dämmung Dach 12-200: 180mm  
Dämmung Wand 21-100: 140mm  
Psi-Wert



ISOVER Bautechnik, November 2013